

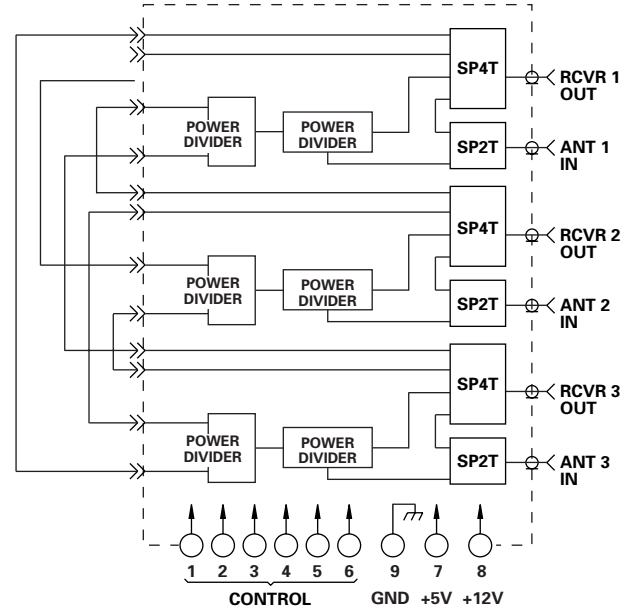
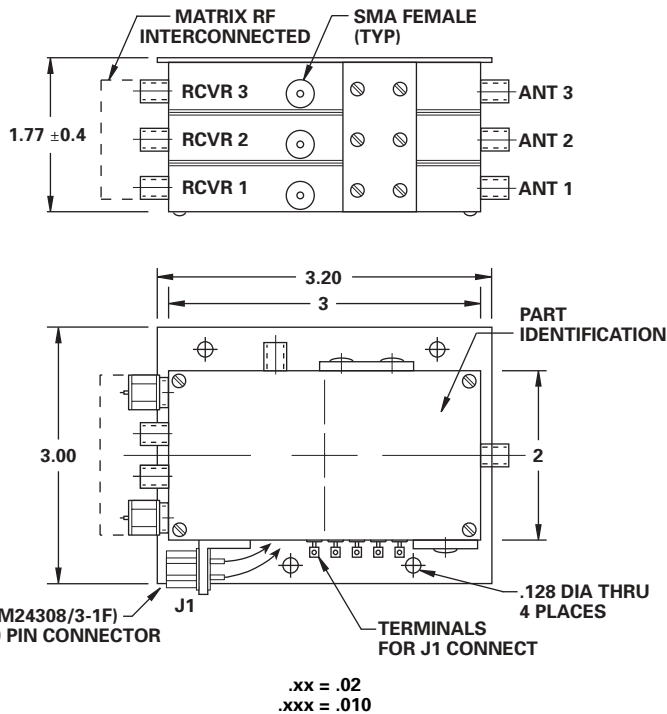
FEATURES

- 20 - 2000 MHz
- +56 dB 3rd Order Intercept Point
- Small 3 x 2 x 2 Package
- Connects Any Receiver to Any Antenna
- SMA Connectors
- All Receivers Can Share a Common Antenna Via Integrated Power Combiners



MODEL NO.
100C1820

(3x3) Switch Matrix



GUARANTEED PERFORMANCE

Parameter	Min	Typ	Max	Units	Conditions	
Operating Frequency	20		2000	MHz		
DC Current		112	160	mA	At +5 VDC Supply	
		52	75	mA	At +12 VDC Supply	
Control Type		TTL			6 Line Control	
Control Current	High	0	±20	µA	VIH = +2.7 V	
	Low	0	±20	µA	VIL = +0.5 V	
Insertion Loss				dB	See RF Parameters Performance Chart	
Isolation				dB	See RF Parameters Performance Chart	
VSWR					See RF Parameters Performance Chart	
Impedance		50		OHMS		
Switching Speed		1.5	5	µSec	50% TTL to 90% / 10% RF	
Transition (Rise/Fall) Time		0.7		µSec	90% / 10% to 10% / 90% RF	
Switching (Video) Transients		1.8		V		
Intercept Points	2nd		+72	dBm	20 - 100 MHz	
	3rd	+36	+51	dBm		
		+40	+56	dBm		100 - 1000 MHz
		+36	+50	dBm		1000 - 2000 MHz
RF Power	Operate		+24	dBm	0.1 dB Compression	
	No Damage		+24	dBm		
Operating Temperature	0	+25	+70	°C	TA	

